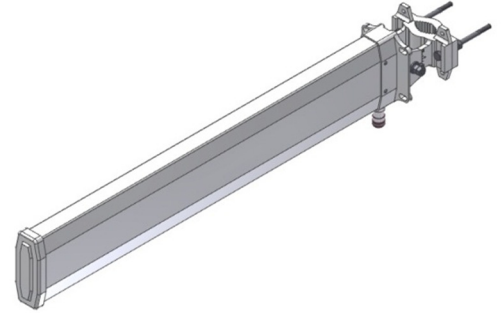


Multi-Band Yagi Antenna

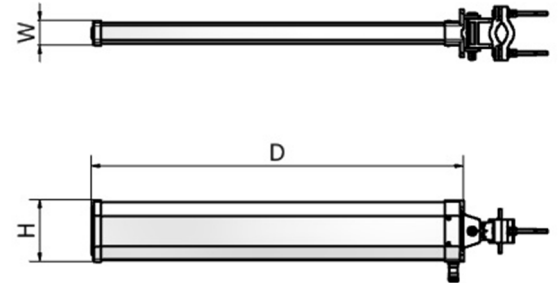
819 ~ 960, 1710~2690 MHz / 5 dBi, 11dBi

CPWW-YG-511

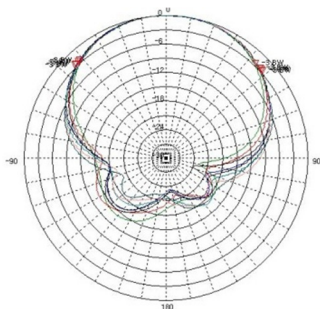
i. Electrical Specification		
Frequency Range (MHz)	819 ~ 960	1710 ~ 2690
Polarization	Vertical	Vertical
Band Width	141 MHz	980 MHz
Gain	≥ 5 dBi	≥ 11 dBi
Beam width	Horizontal	70 ~ 130°
	Vertical	50 ~ 90°
F-B ratio (Horizontal & Vertical)	10dB @ 180 ± 30°	15dB @ 180 ± 30°
VSWR	1 : 1.6	1 : 1.5
Impedance	50 Ω	
IMD (3rd)	≤ -140dBc @ 2x40dBm	
IMD (5th)	≤ -160dBc @ 2x40dBm	
Maximum input power	100 W	



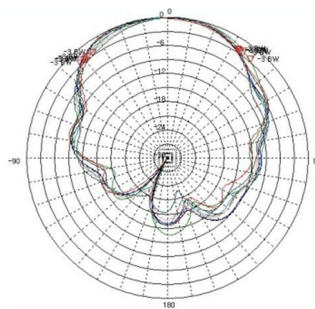
ii. Mechanical Specification	
Radom Dimension (HxWxD)	100 x 40 x 640 mm
Weight (Exclude bracket)	≤ 0.9 Kg
Connector Type	N-J (Female)
Withstand Wind Pressure	60 m/sec
Radome Material	ASA
Radome Color	White
Mechanical Down Tilt	Up, Down ± 30°
	Left, Right ± 30°
Temperature	-40 °C ~ 70 °C
Packing Size (H x W x D)	-
Packing Weight	-



iii. Radiation Pattern

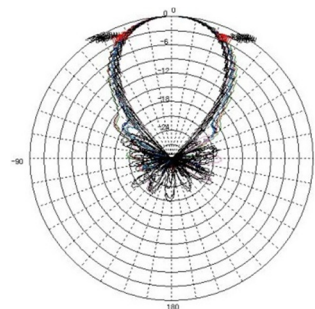


Horizontal Pattern

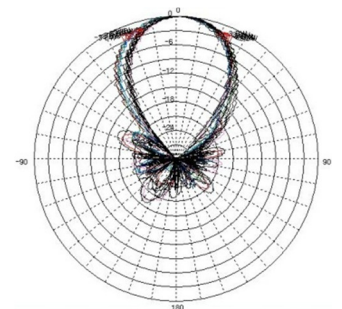


Vertical Pattern

Low Band



Horizontal Pattern



Vertical Pattern

High Band